



Gourmia

BOTTLE WARMER

Model # JBW-250

USER MANUAL

Read this manual thoroughly
before using and save it for
future reference

FOR CUSTOMER SERVICE
QUESTIONS OR COMMENTS
VISIT US @ GOURMIA.COM
INFO@GOURMIA.COM
OR CALL 888.552.0033

**Visit GourmiaJr.com for important product information and
regularly updated manuals**

Model: JBW-250
© 2018 Gourmia
www.gourmia.com
The Steelstone Group
Brooklyn, NY

All rights reserved. No portion of this manual may be reproduced by any means whatsoever without written permission from The Steelstone Group, except for the inclusion of quotations in a media review.

Although every precaution has been taken in the preparation of this manual, The Steelstone Group assumes no responsibility for errors or omissions. Nor is any liability assumed for damages resulting from the use of the information contained herein. Although every effort has been made to ensure that the information contained in this manual is complete and accurate, The Steelstone Group is not engaged in rendering professional advice or services to the individual consumer; further, The Steelstone Group shall not be held responsible for any loss or damage allegedly arising from any information or suggestion in this manual.

Welcome to the Convenient World of Bottle Warming from Gourmia

Thank you for purchasing a Gourmia Bottle Warmer!

The pages of this manual offer comprehensive instructions to guide you through the functions and features of the Gourmia Double Bottle Warmer. Inside this guide you will also find information on its modes of operation, complete step-by-step instructions for the operation, assembly, cleaning, and maintenance of your appliance.

Please read all safety instructions thoroughly to ensure safe usage at all times.

Thank you for your purchase. We sincerely hope you will enjoy this as well as all the many innovative products brought to you by Gourmia.

IMPORTANT SAFEGUARDS

Before using this product please read this manual carefully, and save for future reference.

ALWAYS TEST THE MILK TEMPERATURE BEFORE FEEDING YOUR BABY.

SAFETY INSTRUCTIONS

When using any electric appliance, basic precautions should always be followed to reduce the risk of fire, electric shock and injury, including the following:

1. Never use the appliance with a damaged cord or plug or after the appliance has been damaged in any way. Contact customer service for any damages on the appliance.
2. This appliance is for adult use only. Persons under the age of 13 should not use this product.
3. Close supervision is required when any appliance is used near children.
4. Do not exceed the maximum level of water- spilling may occur while the water is hot.
5. Always place the bottle warmer on a dry, flat surface- out of reach of children.
6. Do not move the appliance during use.
7. Do not touch the appliance while it is in use, the appliance gets very hot!
8. Beware of the hot steam which escapes from the cover.
9. Never immerse the base of the appliance in water or any other liquid.
10. Always unplug the appliance before cleaning. Make sure the appliance is cleaned and dry before each use.
11. Do not use the appliance for anything other than its intended use.
12. This appliance is intended for household use only.
13. Keep the power cord away from children.

Electromagnetic field (EMF)

This appliance complies with all standards relating to electromagnetic fields (EMFs). It meets the safety rules established on the basis of current scientific knowledge provided it is handled correctly and in compliance with these instructions.

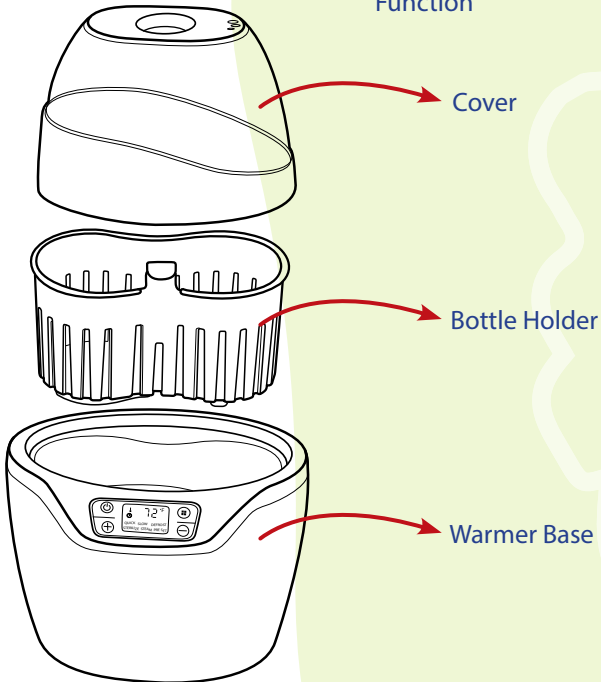
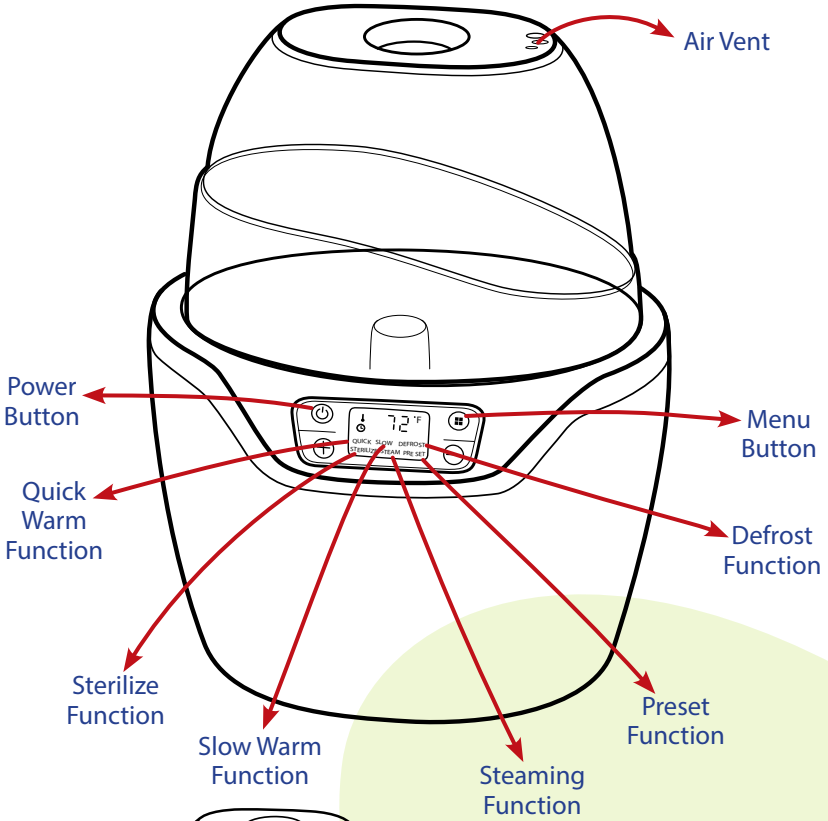
TABLE OF CONTENTS

Know Your Bottle Warmer6

Using Your Bottle Warmer7

Settings Chart..... 13

Cleaning & Maintenance.....15



QUICK WARM FUNCTION:

The function uses steam to warm the bottle as fast as possible.

1. Put 100 ml (3.5 oz) of water inside the warmer
2. Tap the power button.

All options will appear on the screen.

3. Tap the menu button until the “quick” function is selected.

The 3 minute default time will appear on the display screen.

To adjust the time use the +/- to add or decrease the time.

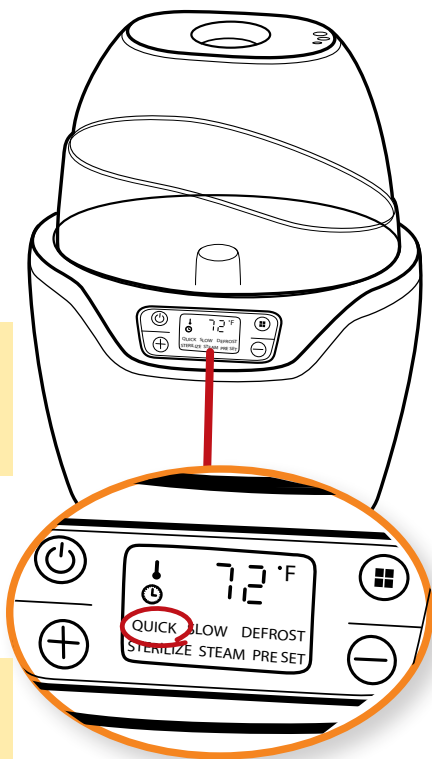
4. After a few seconds the quick warm function will begin. The display screen will show the remaining time.

6. When the timer bell rings the quick warm function is complete.

Warning: *While the appliance is in use hot steam will escape from the cover vent - be careful!*

7. Tap the power button to shut down the appliance. Use the tongs provided to remove the hot utensils.

Warning: *When lifting the cover hot steam will escape- be careful!*



QUICK WARM TIME TABLE

Caution: Always check the bottle temperature before feeding your baby!

Warm Milk		Glass bottle	Plastic Bottle
Milk in the bottle ml	Milk temperature	Needed time	Needed time
2 oz - 3 oz	Refrigerated 39° F	3 - 4 mins	4 - 5 mins
3 oz - 4 oz	Refrigerated 39° F	4 - 5 mins	5 - 6 mins
2 oz - 3 oz	Room Temp. 73° F	2 mins	3 mins
3 oz - 4 oz	Room Temp. 73° F	2 - 3 mins	3 - 4 mins

Note: Every bottle is different, If your bottle is too cold after use, try one setting higher. If your bottle is too hot, try a lower setting.

SLOW WARM FUNCTION

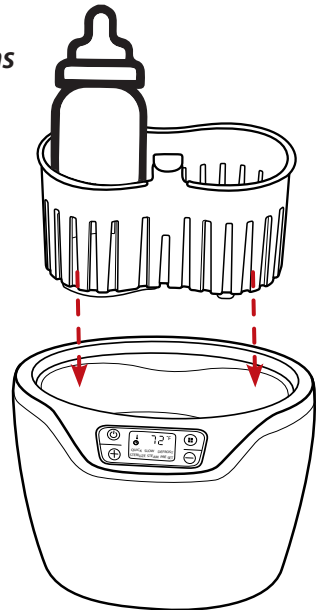
This function slowly and carefully warms the water to preserve nutrients and proteins in the bottle.

1. Place the milk bottle into the bottle holder and into the warmer base.

Note: Do not place the bottle directly into the warmer without the bottle holder.

2. Pour water into the warmer. The amount of water poured in should reach the amount of liquid that is inside the bottle.

Note: Never fill the container to the point of overflow.



For best results, remove bottles as soon as the heating cycle is over.

3. Place the warmer lid over the holder and warmer base.
5. Tap the power button to turn on the machine.
6. If any of the bottles have 7 oz of milk or more (even if you are using a single bottle), use the +/- keys to select the HI setting.
7. For any other volume of milk, use the LO setting.

Note: If you use the LO setting and your milk isn't warm enough, feel free to try the HI setting.

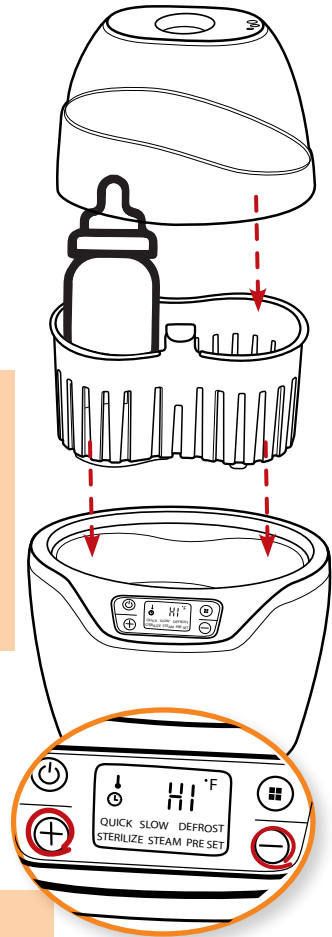
Note: DO NOT use the HI setting to heat bottles faster, as it can over-heat the milk if it isn't needed.

8. The unit will beep when the warming process is complete.
9. Once the bottles are warm, the unit will keep them warm for three hours.

Note: It is always recommended that formula be used no more than one hour after making it.

10. Tap the power button to shut down the appliance.

Note: Use the tongs provided to remove the hot bottles. When lifting the cover, hot steam will escape- be careful!



DEFROST FUNCTION:

The function is used for thawing frozen items such as frozen breast milk or other items.

1. Place the items into the basket, and then the basket into the warmer base.

Note: Do not place the food directly into the warmer without the bottle holder.

2. Fill the warmer with water until the water **barely** covers the item.

Note: Never fill the container to the point of overflow.

3. Place the warmer lid over the holder.

5. Tap the power button. All options will appear on the screen.

6. Tap the menu button- until the defrost function appears.

Using the +/- adjust a time needed for defrosting.

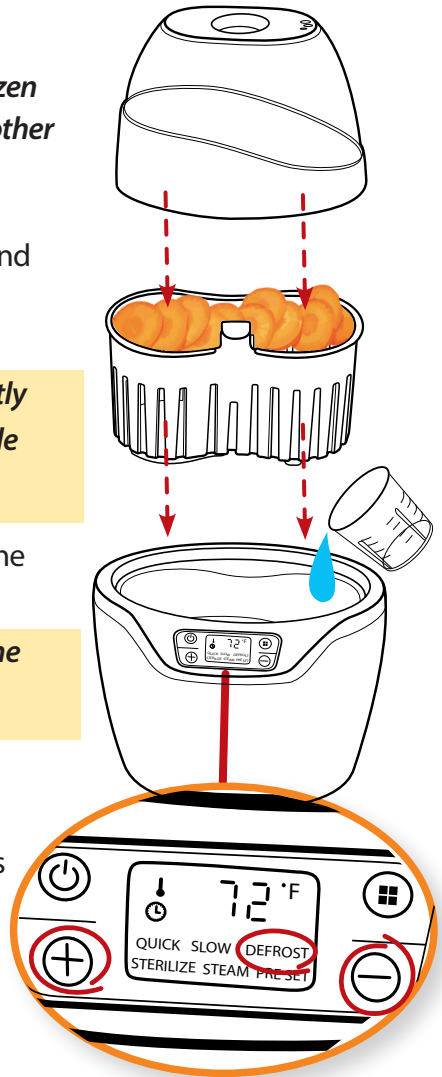
The larger or colder the item is- the longer length of time is needed for defrosting.

7. When the defrost time is set- the machine will start defrosting.

8. When the timer bell rings the defrosting process is complete.

9. Tap the power button to shut down the appliance.

Use the tongs provided to remove your items.



STERILIZE FUNCTION

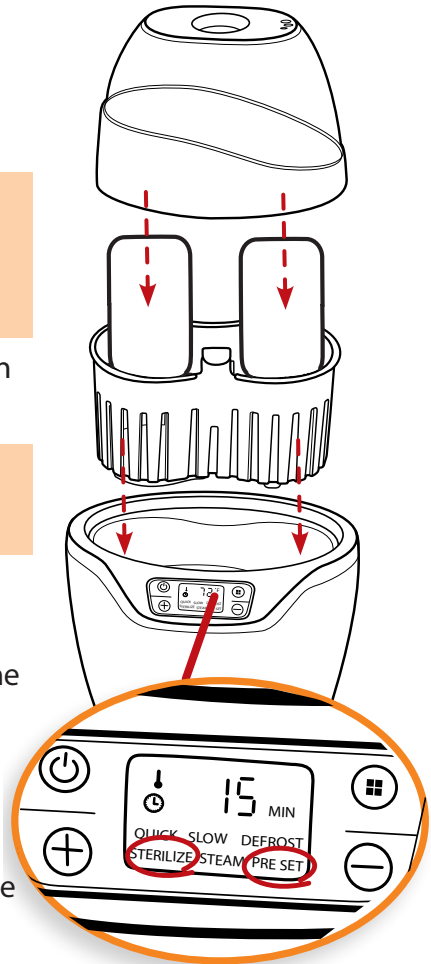
1. For 10 and 15-minute cycles, use 100 ml (3.4 oz) of water. For 20-minute cycles, use 130 ml (4.4 oz).
2. Place the bottle holder into the warmer.

Note: Do not place the bottle directly into the warmer without the bottle holder.

3. Put the empty bottle upside down into the bottle holder.

Note: Pacifiers and small baby utensils can also be sterilized.

4. Place the warmer lid over the holder and warming base.
5. Tap the power button then tap the menu button- until the sterilizer option appears.
The default time is 15 minutes.
The sterilizer function has three settings 10,15, and 20 minutes. Use +/- to adjust the time.
6. When the timer bell rings the sterilizing process is complete.
7. Tap the power button to shut down the appliance.
Use the tongs provided to remove the hot utensils.



STEAM COOKING FUNCTION:

1. Fill the warmer with 170ml (6 oz) of water.

Note: Never fill the container to the point of overflow.

2. Place the food into the basket, and then the basket into the warmer base **backwards**. (It will rest higher above the water than normal)

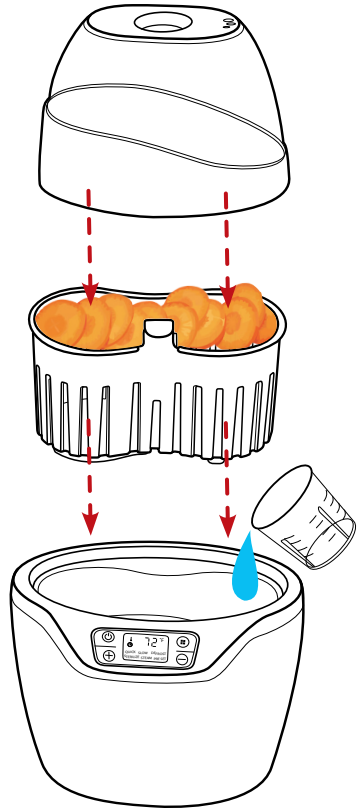
Note: Do not place the food directly into the warmer without the bottle holder.

3. Place the warmer lid over the holder.
5. Tap the power button. All options will appear on the screen.
6. Tap the menu button- until the steam function appears. The default time is 12 minutes.

Warning: During the steaming process hot steam will escape from the cover - be careful!

7. When the timer bell rings the steaming process is complete.
8. Tap the power button to shut down the appliance. Use the tongs provided to remove the hot utensils.

Warning: When lifting the cover hot steam will escape from the base- be careful!



FOOD CHART

Type of food	Ingredients	Steam time
Fruit	Apple	7 mins
	Pear	7 mins
	Orange	12mins
	Peach	12 mins
	Plum	12 mins
	Pineapple	18 mins
Vegetable	potato	12 mins
	asparagus	12 mins
	Broccoli	12 mins
	Onion	12 mins
	Cauliflower	12 mins
	Spinach	12 mins
	Tomato	12 mins
	Carrot	18 mins
	Celery	18 mins
	Courgette	18 mins
	Pumpkin	18 mins
	Peas	25 mins
Meat	Chicken, beef, lamb and pork	25 mins
Fish	Salmon, tongue sole, cod and trout	12 mins

Note: Don't be afraid to experiment for the best results!

Always make sure your foods are fully cooked before serving. These times are merely suggestions.

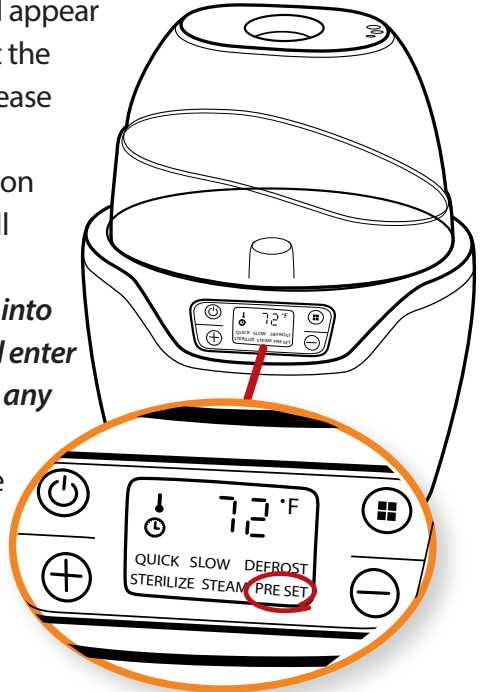
TIMER PRESET FUNCTION:

The preset function can let you start any function at the set time you prefer.

1. Follow the steps for the option you prefer.
2. Tap the power button.
All options will appear on the screen.
3. Tap the menu button until the timer preset option appears.
The 10 minute default time will appear on the display screen. To adjust the time use the +/- to add or decrease time from the default time.
4. After 3 seconds the preset option will start. The display screen will show the remaining time.

Note: *When the appliance enters into the preset mode, the screen will enter into power saving mode- press any button to see the screen again.*

5. The timer preset option can be set to 15 hours in advance to begin the set function.
6. When the timer bell rings the preset option is complete.



Warning: *While the appliance is in use hot steam will escape from the cover vent - be careful!*

7. Tap the power button to shut down the appliance. Use the tongs provided to remove the hot utensils.

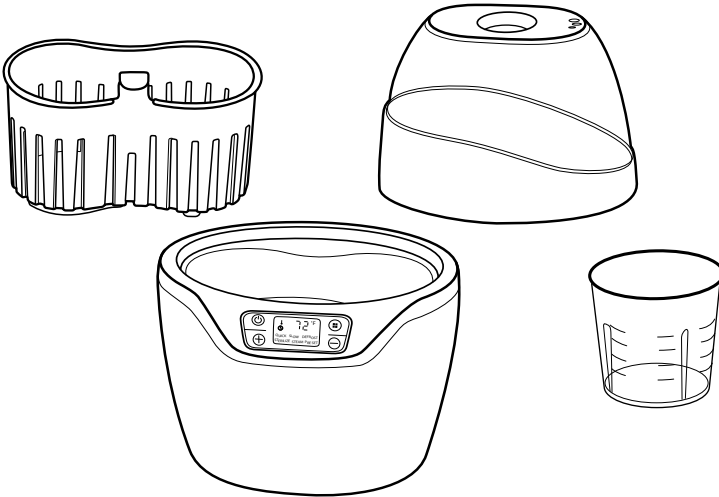
Warning: *When lifting the cover hot steam will escape- be careful!*

Hours	Minutes
1 hour	60 min
2 hours	120 min
3 hours	180 min
4 hours	240 min
5 hours	300 min
10 hours	600 min
15 hours	900 min

CLEANING AND MAINTENANCE

Before cleaning the appliance make sure the appliance is completely cooled off and unplugged.

1. Clean the appliance after each use.
2. Never immerse the appliance in water.
3. Do not use bleach or any chemical disinfecting solutions to clean the appliance.
4. Do not use steel wool or any abrasive sponge to clean the appliance.



Note: To prevent discoloration, do not use this warmer in direct sunlight.

Storage

- Before storing the appliance empty all the water.
- Before storing the appliance, make sure that all parts are clean and dried.

**FOR CUSTOMER SERVICE
QUESTIONS OR COMMENTS
VISIT US @ GOURMIA.COM
INFO@GOURMIA.COM
OR CALL 888.552.0033**

Gourmia®